

## ZARF1560-L-TV

Needle roller/axial cylindrical roller bearing

Schaeffler ID:  
0000404950000

Needle roller/axial cylindrical roller bearings ZARF...-L, double direction, for screw mounting, long shaft locating washer

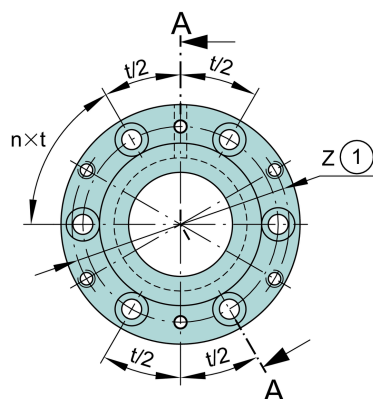
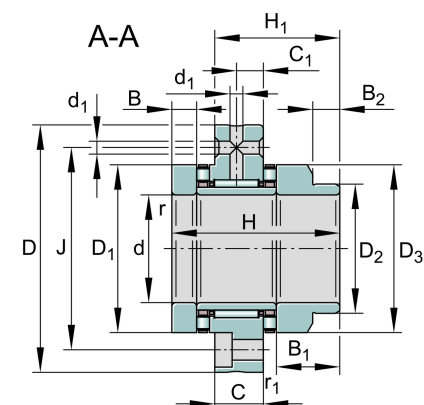
### Technical information

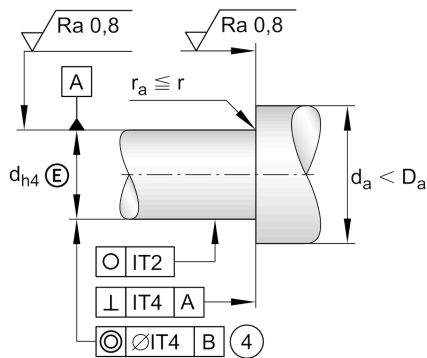
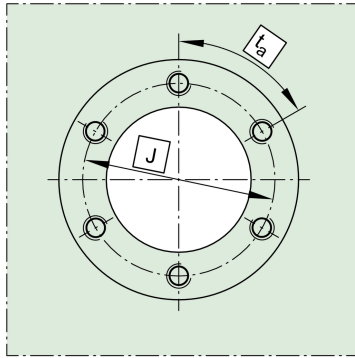
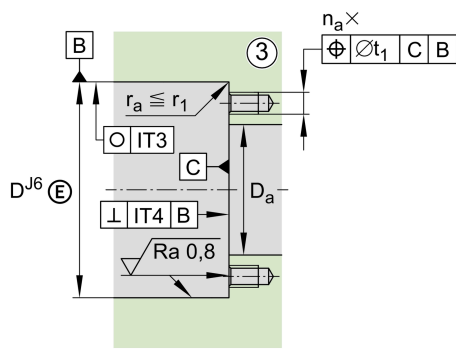
#### Main Dimensions & Performance Data

d	15 mm	Bore diameter
D	60 mm	Outside diameter
H	53 mm	Height
$C_a$	24.900 N	Basic dynamic load rating, axial
$C_{0a}$	53.000 N	Basic static load rating, axial
$C_r$	13.000 N	Basic dynamic load rating, radial
$C_{0r}$	17.500 N	Basic static load rating, radial
$C_{ua}$	7.500 N	Fatigue load limit, axial
$C_{ur}$	2.650 N	Fatigue load limit, radial
$n_{G\ Oil}$	8.500 1/min	Limiting speed for oil lubrication
$n_{G\ Grease}$	2.200 1/min	Limiting speed for grease lubrication
$M_{RL}$	0,35 Nm	Bearing friction torque
	405,6 g	Weight

#### Mounting dimensions

$D_{a\ max}$	36 mm	Maximum diameter of housing shoulder
$d_{a\ min}$	22 mm	Minimum diameter shaft shoulder





## Dimensions

$H_1$	39 mm	Height outer ring over wave washer
$C$	14 mm	Width, outer ring
$C_1$	8 mm	Distance to lubrication hole
$D_1$	35 mm	Rip diameter shaft washer
$D_2$	24 mm	Heeldiameter wave washer long
$D_3$	34 mm	Outside diameter wave washer long
$B$	7,5 mm	Width, wave washer
$B_1$	20,5 mm	Width wave washer long
$B_2$	11 mm	Width heel wave washer long
$r_{min}$	0,3 mm	Minimum chamfer dimension
$r_{1 min}$	0,6 mm	Minimum chamfer dimension 1
$d_1$	3,2 mm	Diameter lubrication hole
$J$	46 mm	Pitch circle diameter (holes)
$n$	6	Number (screwing holes)
$n \times t$	60 °	Split

## Temperature range

$T_{min}$	-30 °C	Operating temperature min.
$T_{max}$	120 °C	Operating temperature max.

## Additional information

$c_{aL}$	1.400 N/μm	Rigidity axial
$c_{kL}$	110 Nm/mrad	Tilting stiffness
$M_m$	0,274 kg*cm <sup>2</sup>	Mass moment of inertia
	1 μm	Axial runout
radial	ZMA15/33	Recommended INA precision locknut for radial locking (not included)
axial	AM15	Recommended INA precision locknut for axial locking (not included)
$M_A$	10 Nm	Tightening torque nut
	6.506 N	Required locknut force
	24X35X7	Rotary shaft seal to DIN 3760 (not included)
	M6	Size fixing screws DIN EN ISO 4762 10.9 (not included)
$n_a$	6	Number of screws
$na \times ta$	60 °	Division (screwing holes)